

ERTAIN model

The price and features of the ERTAIN model sliding door are adaptable to different installation requirements. It is designed for heavy traffic situations, both for large premises (supermarkets, airports, hospitals, etc.) and small and medium-sized users (offices, chemists, restaurants, points of sale in general, etc.) Its main features are its silent opening and closing movement, its dynamic stability and its quick, easy installation.

EASY INSTALLATION

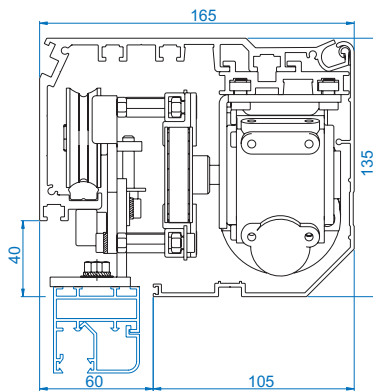
Installation is made easy as the leaf support unit is separate from the motor unit. Part-by-part installation means the whole door can be installed by one person, as no heavy weights need to be handled.

ADAPTABILITY

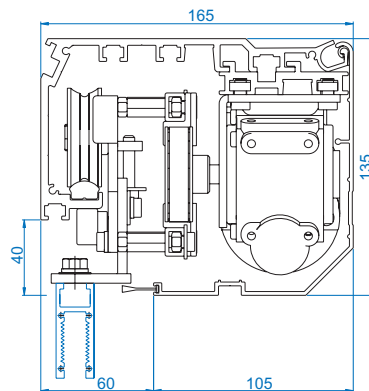
The design of the carriages and the support section mean all types of door frames can be installed with all types of configurations.

CHARACTERISTICS AND ADVANTAGES

- Modular.
- Adaptable to all types of door frames.
- System for quick installation of the operator on the box section using special nuts.
- Independent high wear-resistant aluminium alloy roller track.
Fixed with adhesive foam tape to absorb carriage movement vibrations (reducing noise).
- Motor power control system with automatic reversal for user safety.
- Battery-operated anti-panic opening system in case of power cuts.
- The door's simple mechanism provides easy maintenance.
- Can be connected to a PC for centralised door control or programming.



Compact door frame



Clip door frame

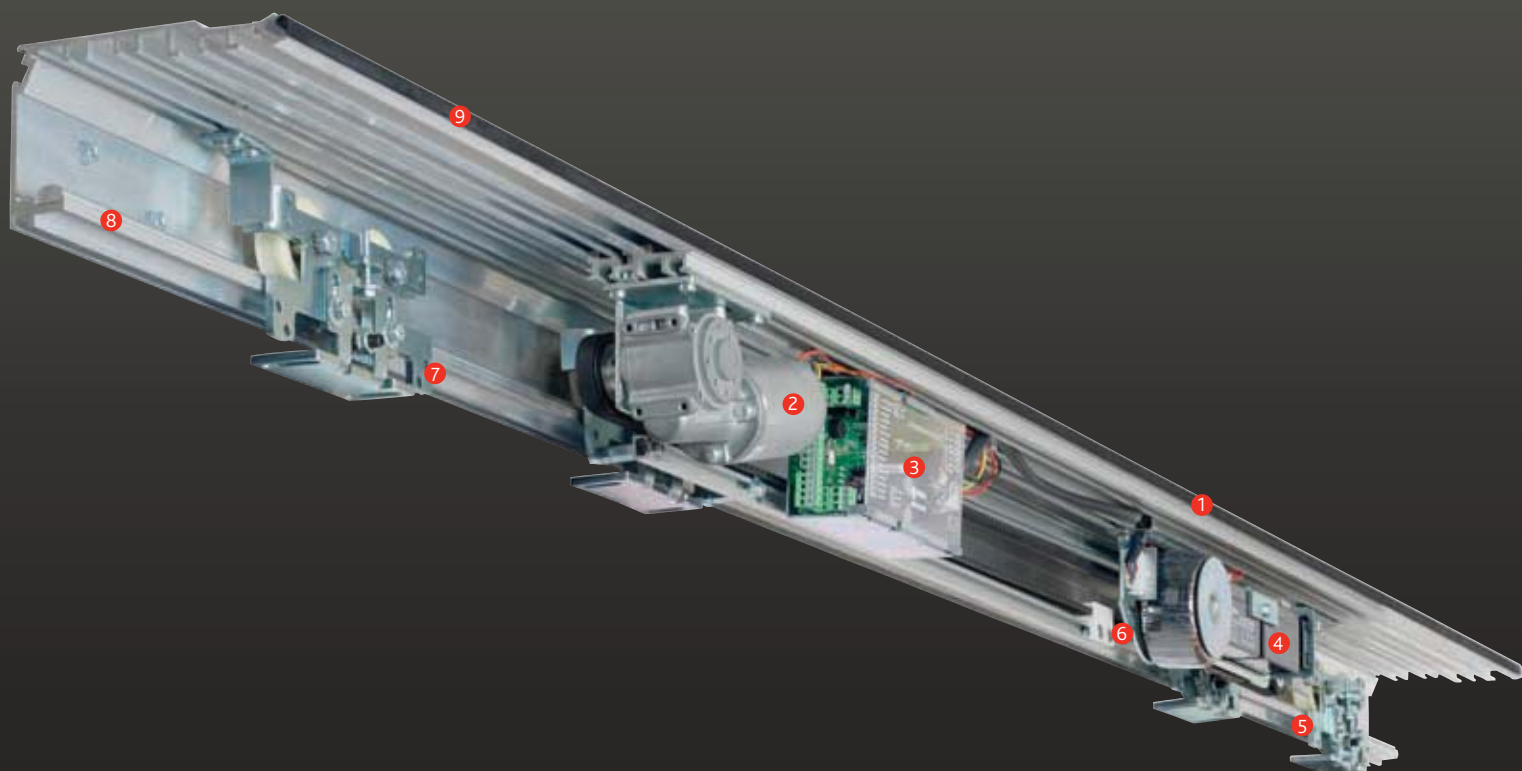
TECHNICAL SPECIFICATIONS

	OPERATOR 1450	OPERATOR 1850	OPERATOR 3200
Free passage (1 leaf)	750 - 1150	950 - 1550	700 - 3000
Free passage (2 leaves)	1100 - 2300	1100 - 3000	1000 - 3000
Maximum weight per leaf (2 leaves)	80 + 80 kg	80 + 80 kg	80 + 80 kg
Maximum weight per leaf (1 leaf)	120 kg	120 kg	120 kg
Maximum opening speed	0,7 m/s	0,7 m/s	0,7 m/s
Casing dimensions	135 x 165	135 x 165	135 x 165
Maximum closing speed	0,5 m/s	0,5 m/s	0,5 m/s
Maximum leaf thickness	50 mm	50 mm	50 mm
Power supply	220 v (single-phase)	220 v (single-phase)	220 v (single-phase)
Maximum consumption	100 w	100 w	100 w

DOOR FRAME TYPES AVAILABLE

PANIC-BREAKOUT	COMPACT	SLIMLINE	CLIP	CLAMP
----------------	---------	----------	------	-------





STANDARD MOTORISATION

- 1 Motorisation profile
- 2 Gear motor
- 3 Electronic board
- 4 Power source and battery
- 5 Tensioning pulley sub-unit
- 6 Endless notched belt
- 7 Carriages
- 8 Roller track
- 9 Box section

we open for you
the doors

