

## TELESCOPIC model

Especially suitable for small spaces where a reasonable opening width is required and there is insufficient space to install a sliding door leaving the desired gap. The two-leaf doors are recommendable for shops, interior doors in corridors, offices, etc. The four-leaf doors provide very wide access and are normally fitted in car showrooms, shops, hotels, etc.

### VERSATILITY

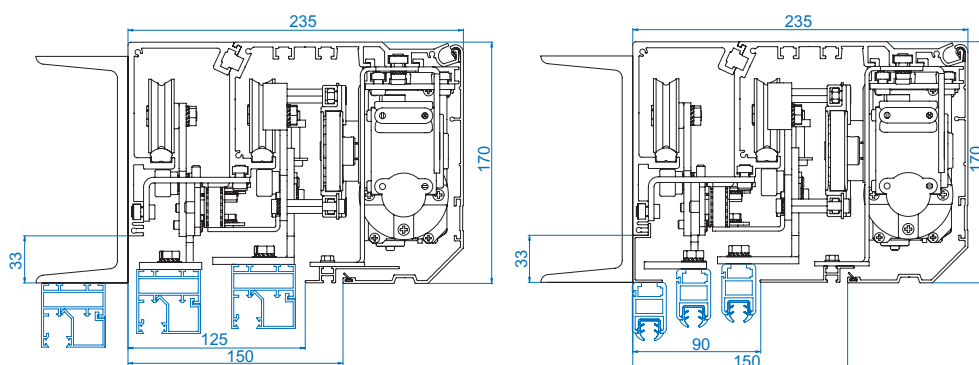
The TELESCOPIC SYSTEM operators consist of units common to the Universal and the Ertain operators. The motorisation unit is Unisys type and the box section is the one used on the Ertain, and so most of the components are standardised, meaning this model is modular and reasonably-priced.

### NUMEROUS FEATURES

As regards functions, this operator includes all the features of the Universal operator. It also offers a wide range of installation options with different types of door frame.

### CHARACTERISTICS AND ADVANTAGES

- Modular.
  - System for quick installation of the operator on the box section using special nuts.
  - Speed division system using a double pulley with a neoprene notched belt.
  - Independent high wear-resistant aluminium alloy roller track.
- Fixed with adhesive foam tape to absorb carriage movement vibrations (reducing noise).
- All peripherals protected from overvoltage and short-circuiting by resettable fuses.
  - Battery-operated anti-panic opening system in case of power cuts.
  - Motor power control system with automatic reversal for user safety.
  - A double door can be installed with an exclusive system.



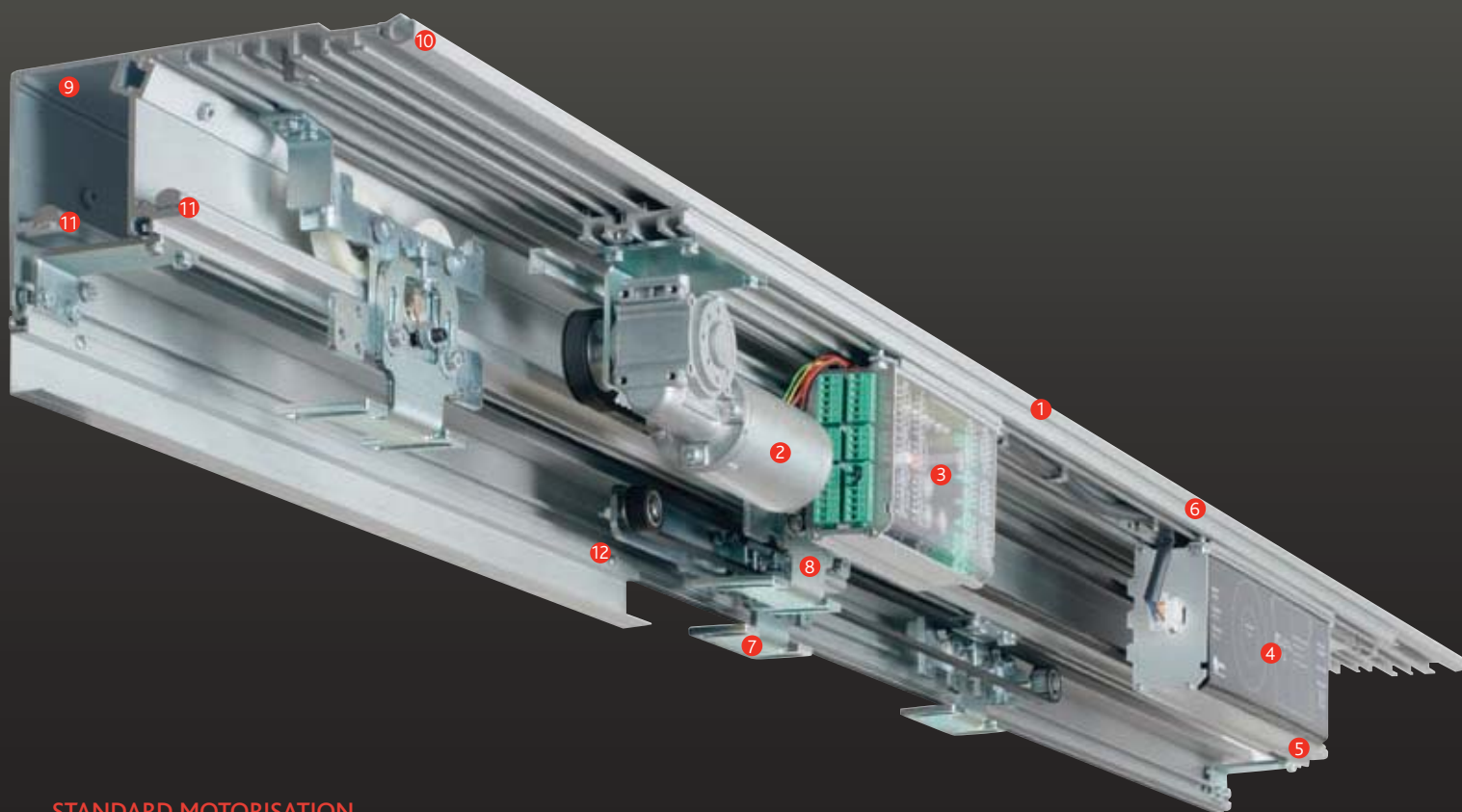
### TECHNICAL SPECIFICATIONS

	OPERATOR 1450	OPERATOR 1850	OPERATOR 3200
Free passage (4 leaves)	1800 - 2400	1800 - 3200	3200 - 3800
Free passage (2 leaves)	900 - 1200	1150 - 1600	1600 - 3000
Maximum weight per leaf (4 leaves)	60 Kg.	60 Kg.	60 Kg.
Maximum weight per leaf (2 leaves)	100 Kg.	100 Kg.	100 Kg.
Opening speed	0,4 - 0,9 m/s	0,4 - 0,9 m/s	0,4 - 0,9 m/s
Closing speed	0,2 - 0,5 m/s	0,2 - 0,5 m/s	0,2 - 0,5 m/s
Maximum closing power	150 N	150 N	150 N
Casing dimensions	170 x 235	170 x 235	170 x 235
Power supply	220 v (50 hz)	220 v (50 hz)	220 v (50 hz)
Consumption	200 w	200 w	200 w

### DOOR FRAME TYPES AVAILABLE

COMPACT	SLIMLINE	CLIP
---------	----------	------





### STANDARD MOTORISATION

- 1 Motorisation profile
- 2 Gear motor
- 3 Electronic board
- 4 Power source and battery
- 5 Tensioning pulley sub-unit
- 6 Endless notched belt
- 7 Inner carriage
- 8 Outer carriage
- 9 Inner box section
- 10 Outer box section
- 11 Roller track
- 12 Speed division system

we open for you  
the doors

